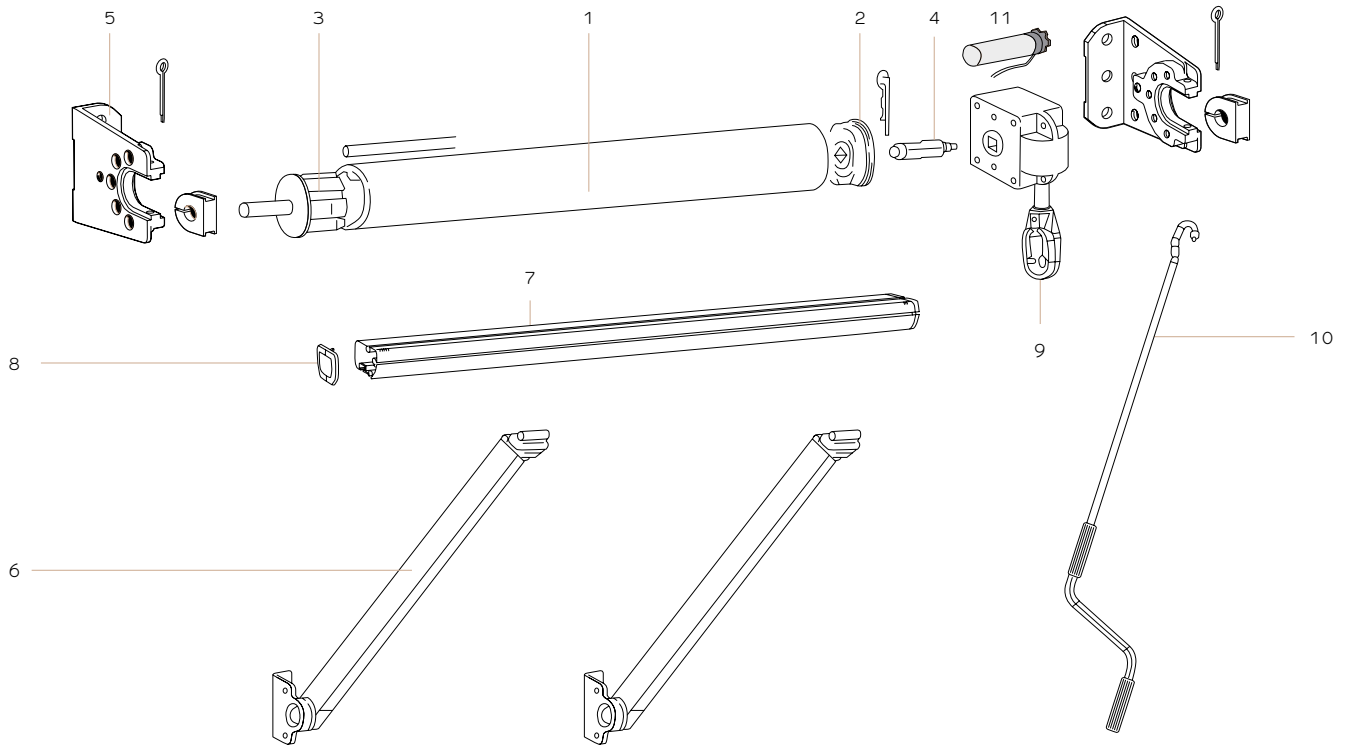
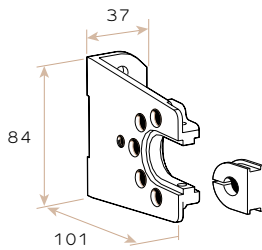


Vertigo Window Awning

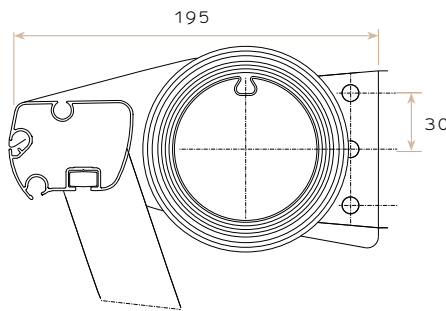


- 1 78mm aluminium roller tube
- 2 Drive bearing - cast aluminium
- 3 Idle end
- 4 Square shaft - stainless steel
- 5 Mounting brackets - cast aluminium
- 6 Spring loaded arm
- 7 Fall bar - extruded aluminium
- 8 Fall bar endcap
- 9 Gearbox (7:1 or 13:1)
- 10 Crank handle
- 11 Motor - automation

MOUNTING BRACKET
FACE FIX (mm)



PROFILE VIEW (MM)



GEARBOX 7:1 (mm)

